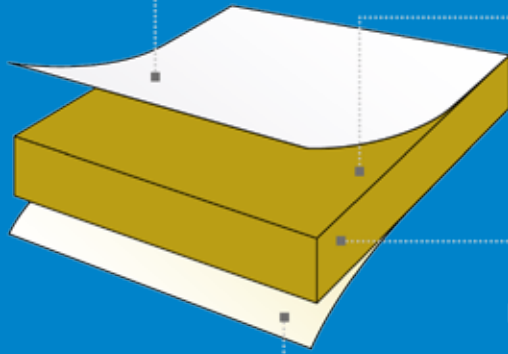


# Tonga<sup>®</sup> A 22

Decorative glass fiber veil in white,  
EuroColors or EuroDesign

High density  
stone wool panel,  
22 mm thick



A Edges

Natural glass veil  
on reverse side

## KEY FEATURES

- Acoustic absorption:  $\alpha_w = 1.00$  et 1
- Reaction to fire: A1 (white) and A2-s1, d0 (colors)
- Light reflection: > 87% for white
- 100% flat irrespective of the Relative Humidity
- Reduction in artificial lighting needs
- Natural light intake > 6% for white
- Over 600 format and veil combinations
- 15-year warranty
- IAQ: Class A+





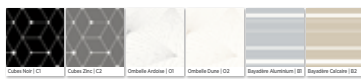
40 EuroColors



Custom colors service



6 EuroDesign



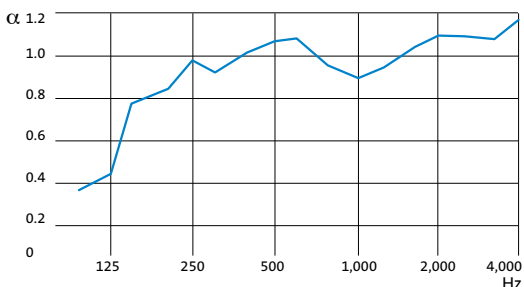
TONGA® RANGE

## Tonga® A 22

- > Rigid stone wool self-supporting panel.
- > Decorative veil on the visible side.
- > Reinforced by a natural glass fiber veil on the reverse side.
- > Designed to be installed on T15 - T24 grids.



### Acoustic absorption



- $\alpha_w = 1.00$  : class A / NRC = 1



### Light

- **Light reflection:** The light reflection coefficient is superior to 87% for white.
- **White:** L = 94,80% - according to ISO 11664-4.
- **Gloss:** Matt - The gloss value is 0,74% with 85° angle - according to ISO 2813.
- **Light diffusion:** 100% of the light is diffused.
- **Natural light intake:** 6% improvement in natural light distribution.
- **Lighting needs:** 11% reduction in artificial lighting needs.



### Fire reaction

According to EN 13501-1:

- For white: Euroclass A1.
- For colors and patterns: Euroclass A2-s1, d0.



### Fire resistance

- **Tonga® A 22 ceilings** (600 x 600 mm) installed on a T24 **QUICK-LOCK®** grid (see test report) satisfy the requirements of Section CO13 in the French fire regulations for public-access buildings.

Classification	Modules (in mm)	Load-bearing structures	Additional insulation
REI 30	600 x 600	Concrete, Steel	No
REI 30	600 x 600	Timber, Concrete, Steel	160 mm Eurothane® 603

- **Tonga® A 22 ceilings** (up to 2,400 x 600 mm) installed on a T24 **QUICK-LOCK®** grid (see test reports) are SF30 according to Belgian standard NBN 713-020.



### Humidity performance

- 100% flat irrespective of the Relative Humidity.



### Environment and health

#### Environment

- Mineral wool is recyclable, and the vast majority of production waste is recycled. The recycled content of the mineral wool of our Tonga® A 22 panels is 45%.
- For projects based on LEED®, BREEAM® and HQE™ Green Building certifications, EPD (Environmental Product Declarations) are available. Contact us.
- Eurocoustic is certified to ISO 14001: 2015 «Environmental Management Systems».

### Healthcare

- Eurocoustic stone wool is certified by EUCEB (European Certification Board for mineral wool product).
- Stone wool panels are manufactured with fibers exempt from the carcinogenic classification (European Regulation 1272/2008 as amended by European Regulation 790/2009). According to the International Agency for Research on Cancer, mineral wool is not classifiable as to its carcinogenicity to humans (Group 3).



### CE marking

- DoP no.: G003.



### Indoor Air Quality

- Tonga® A 22 products are classed A+.



### Installation

- Installation must conform to the requirements of the DTU 58.1 code of practice, the NF P 68203-1 and 2 standards and other applicable standards and codes of practice according to the type of room.
- You are advised to ensure that air can circulate between the rooms and the plenum to balance the temperature and pressures on each side of the ceiling.
- Tonga® A 22 ceilings are fitted on T15 - T24 grids.
- Tiles can be cut with a craft knife without generating any noise or dust.
- The direction in which the panels should be installed is indicated on the back of the panels.
- Contact us if any mineral wool is to be laid in the plenum.



### Cleaning

- The surface of Tonga® A 22 ceilings does not retain dust, which makes them easier to clean.
- Tonga® A 22 ceilings can be cleaned using light brush / vacuum cleaner.
- This type of cleaning will help extend the service life of Tonga® A 22 ceilings.

### AT A GLANCE

Color	White 09	EuroColors	EuroDesign
Edges	A		
Grids	T15 - T24		

### Module size (mm) and packaging

Width	Length	Thickness	Panels/pack	m <sup>2</sup> /pack	Packs/pallet	Service class
			6	6	6	6
						A A B C B B B B

EuroColors : available in 600 x 600/1200/1500/1800/2000/2400 and 1200 x 1200.

EuroDesign : available in 600 x 600 and 600 x 1200.

Tonga® A 22 ceiling packs are shrink-wrapped for protection. Pallets are wrapped in plastic film and must be stored under cover .